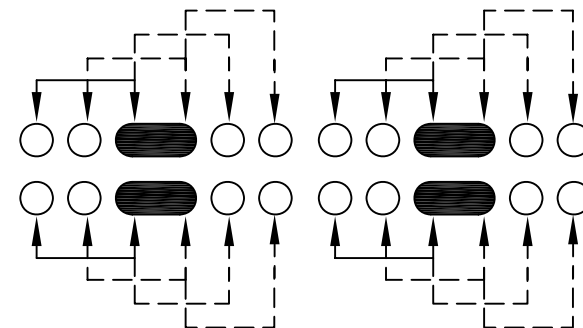
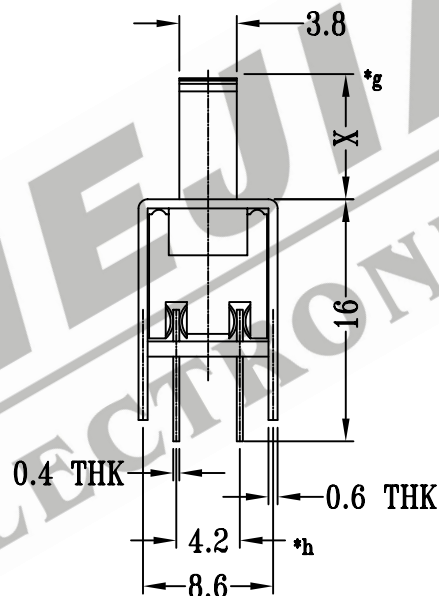
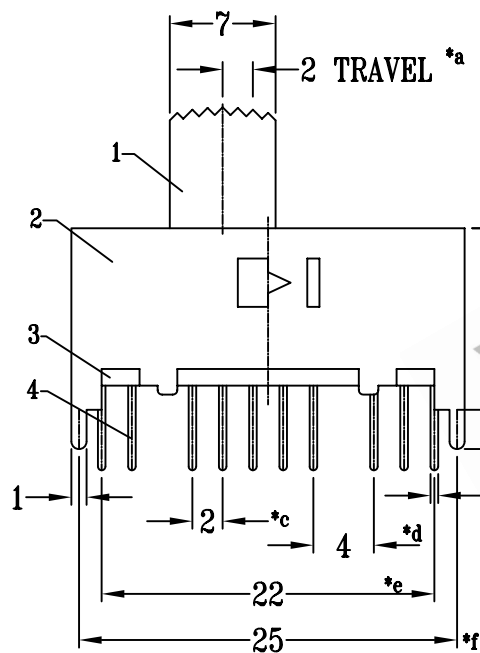
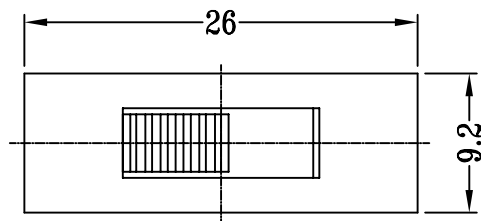
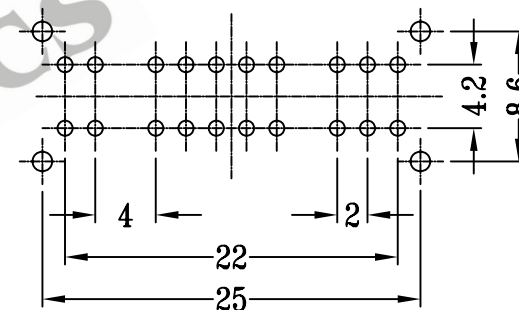


CAD FILE:



**SCHEMATIC (SHORTING)**



**P.C.B LAYOUT**

注:带"\*"表示关键尺寸(8个)

NO.	PARTS	MATERIALS	Q'TY	FINISH	TOLERANCE UNLESS SPECIFIED	SHENZHEN XIEJIA ELECTRONICS CO.,LTD.					
8						ISSUE		DATE		DESCRIPTIONS OF REVISION	APPD.
7	CONTACT CLIP	PBS	4	Ag CLAD	WITHIN: 1.5±0.1mm OVER: 1.5±0.2mm	TITLE : VERTICAL SLIDE SWITCH		UNIT : mm	DRWG NO.: XJ-DR-SS44D04-00		
6	SPRING	STEEL WIRE	1	TEMPER		MODEL: SS-44D04		SCALE: 2 : 1	DWN.	ZHOUYU	2004-7-15
5	STEEL BALL	STEEL	2	NATURAL		ALL MATERIALS MUST BE COMPLIANT TO ROHS			CHK'D	FANGYING	2004-7-15
4	TERMINAL	BRASS STRIP	20	Ag PLATED OVER Ni PLATED					APPD.	KANGXINAN	2004-7-15
3	BASE	PHENOLIC RESIN	1	BLACK							
2	FRAME	STEEL STRIP	1	Ni PLATED							
1	KNOB	POM	1	BLACK							